

Cappella Data Sheet



- **Easy, two step programming** – Time of day & hardness
- **Battery Powered** – No need to worry about power cuts, mains plug or low pressure.
- **Multiple Regen Functions** – The option of up to 4 different regenerations throughout the day.
- **Intelligent regenerations** – Learns from your usage and plans regenerations.
- **Large LED Display** – Has icon graphics for system functions.

Technical Information

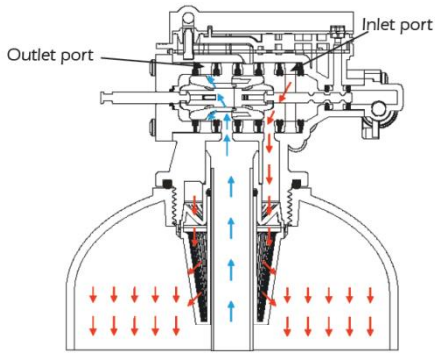
Model	10 Litre	15 Litre
Height	560 mm	630 mm
Width	270 mm	270 mm
Depth	440 mm	440 mm
Litres of water between regenerations @ 300 ppm hardness	1666L	2500L
Average number of days between regeneration	2-3 days	4-5 days
Connections	Inlet/Outlet/Drain ¾" BSP	
Maximum flow	4.1m ³ /hr	



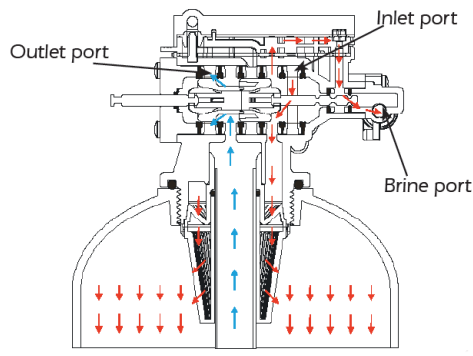
Battery Replacement frequency:

- 1 regeneration per week: 10 years*
- 3 regenerations per week: 5 years*
- 1 regeneration per day: 2 years*

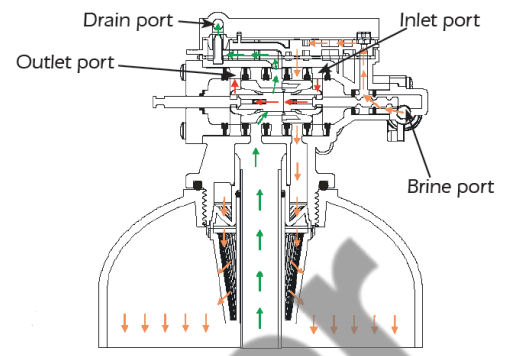
Service



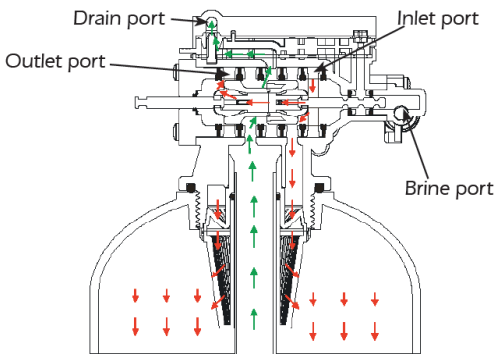
Tank refill



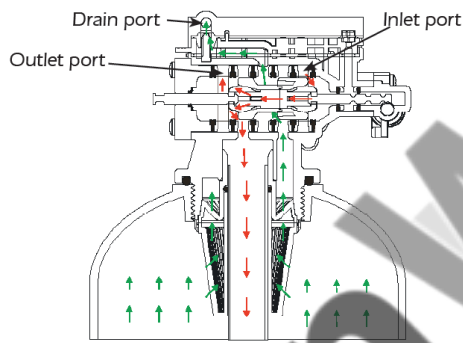
Brinning & slow rinse







Rapid rinse



Backwash



-  Raw water
-  Treated water
-  Regen water
-  Brine

WrekinWater